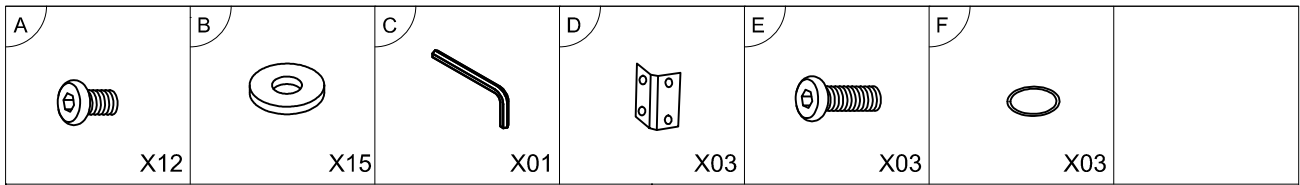
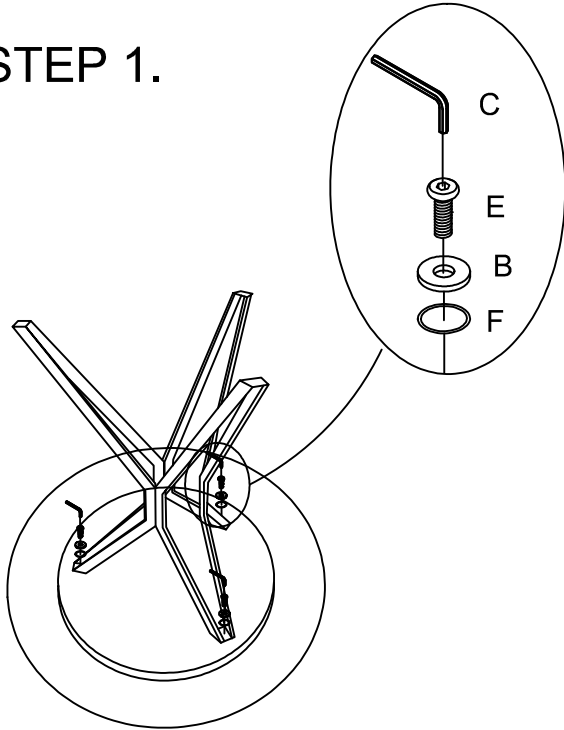


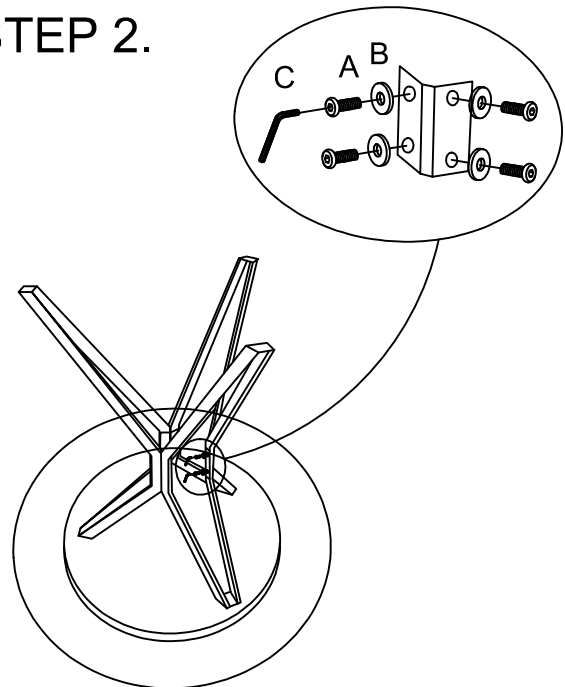
# ASSEMBLY INSTRUCTION DT-979



STEP 1.



STEP 2.



STEP 3.

